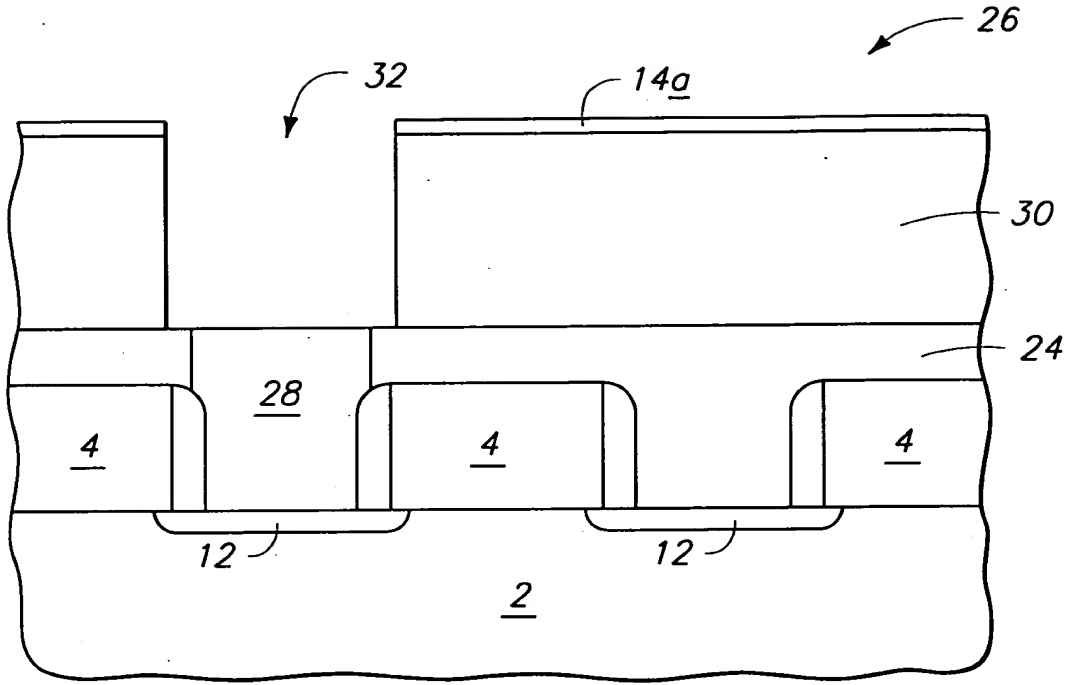
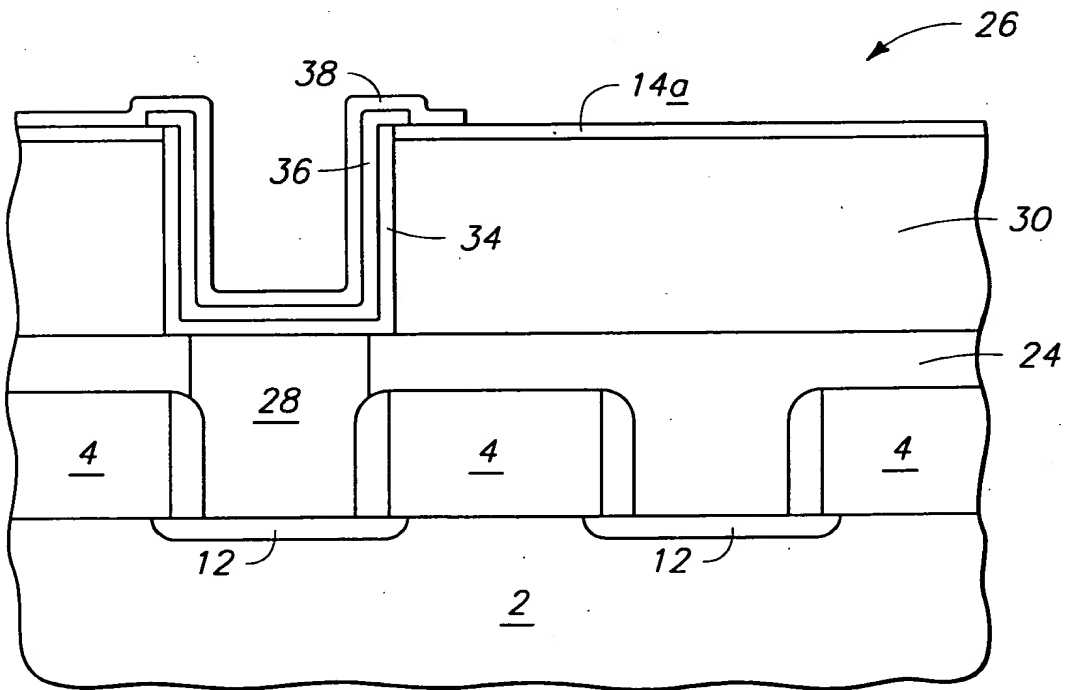




2/9



II II II II

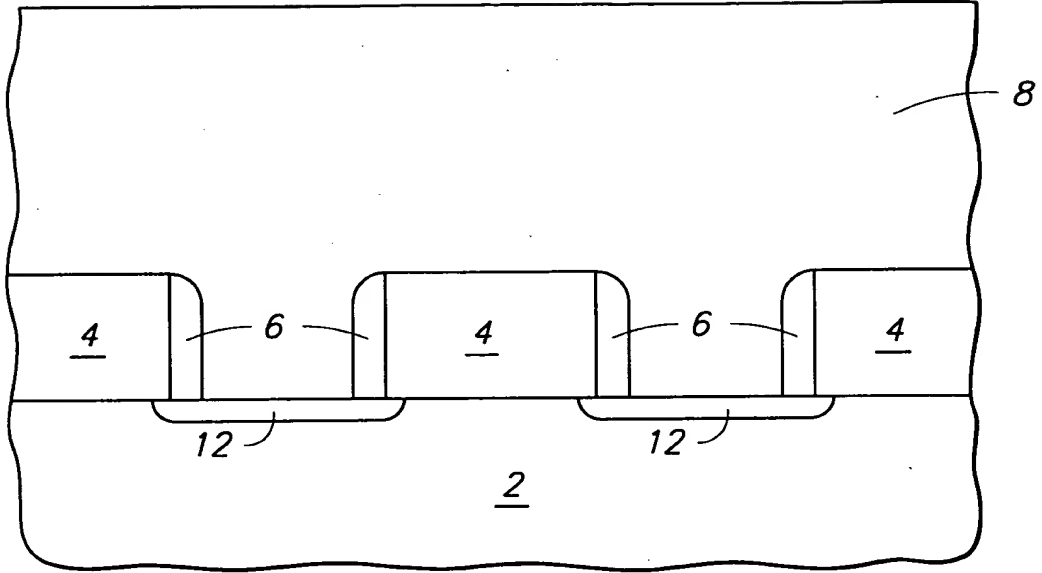


II II II II

FOR SEEBRO

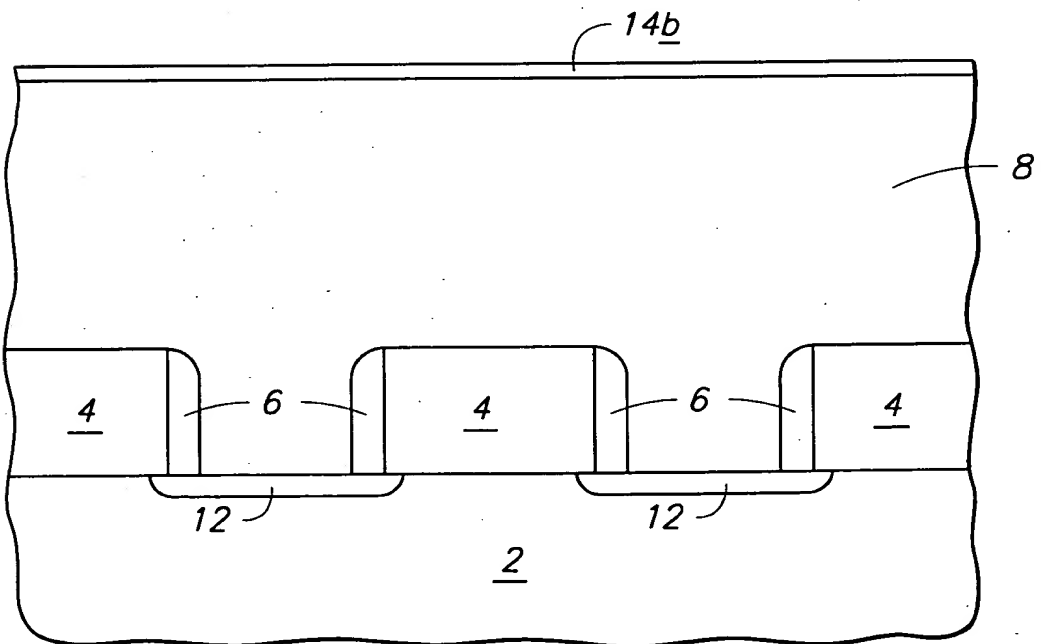
3/9

10



II II II II

10

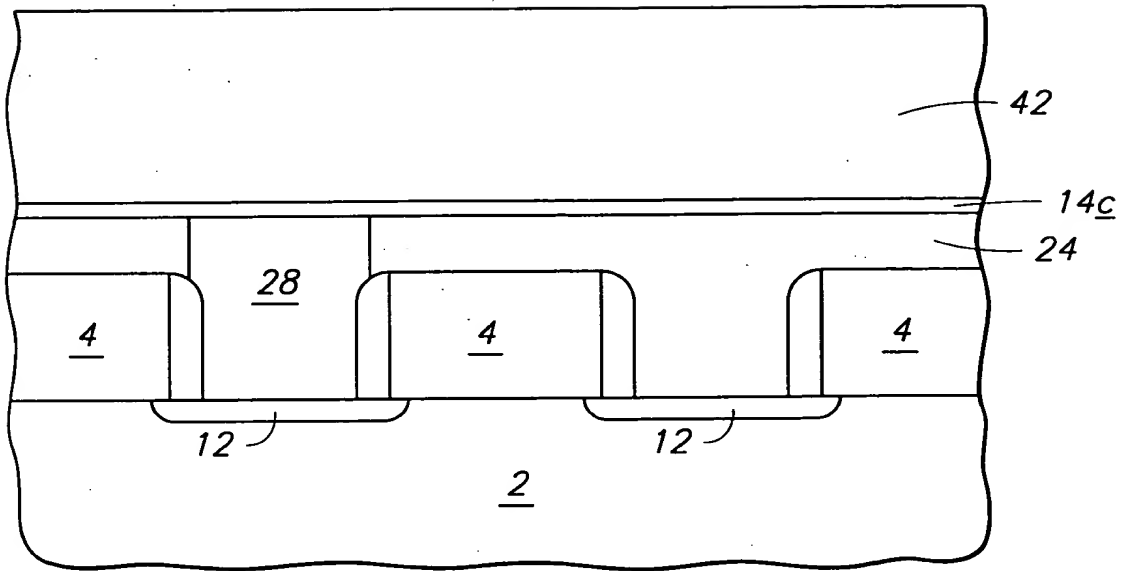


II II II II

FOR SO. 333280

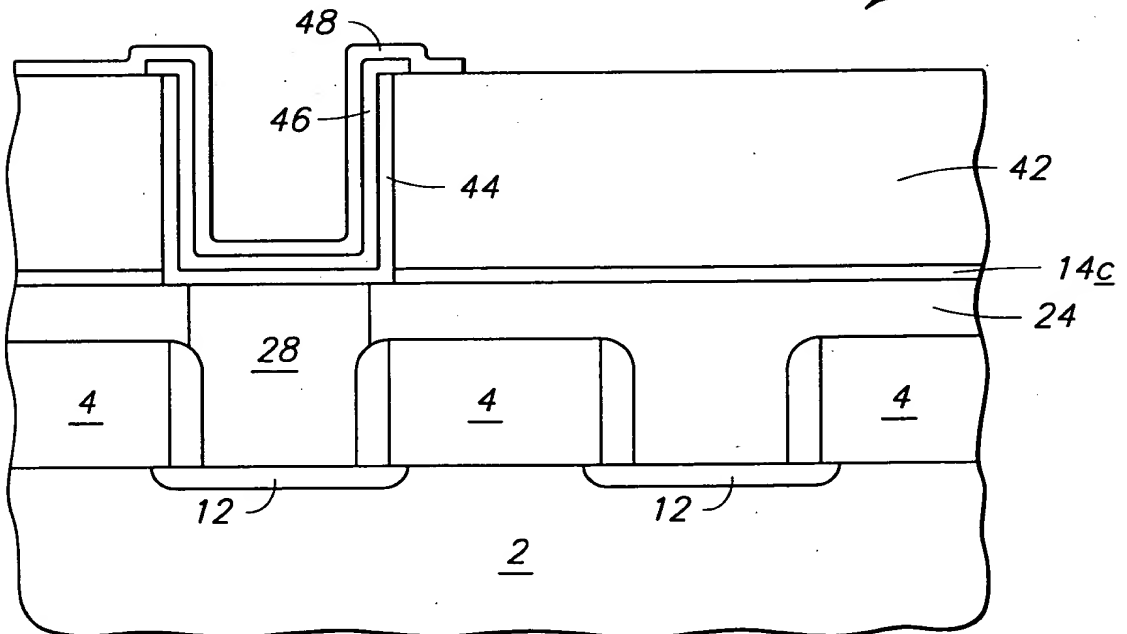


40



II II II II

40

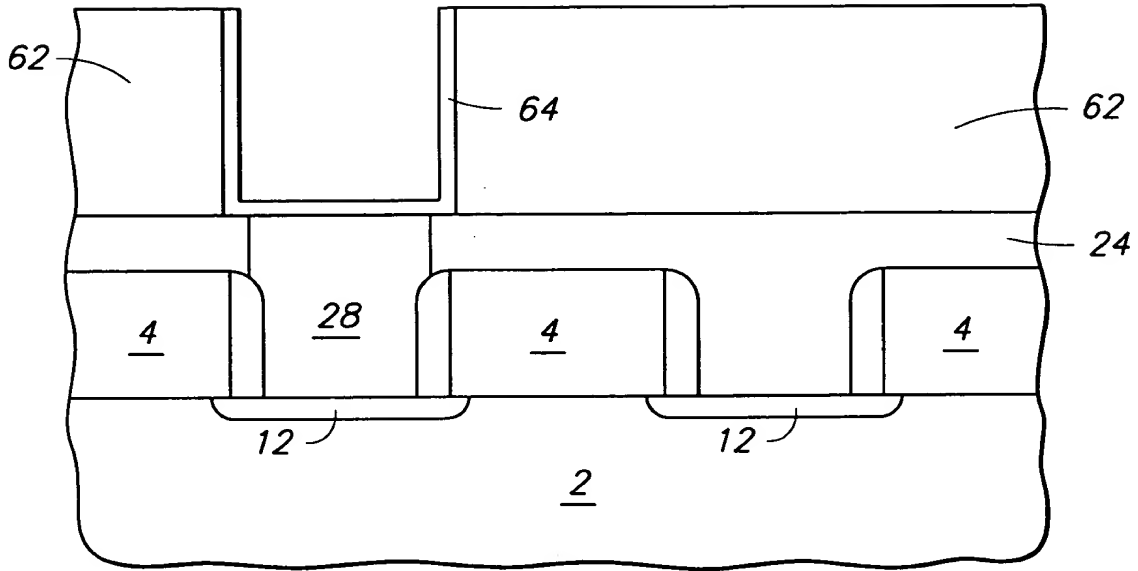


II II II II

FOR RELEASE

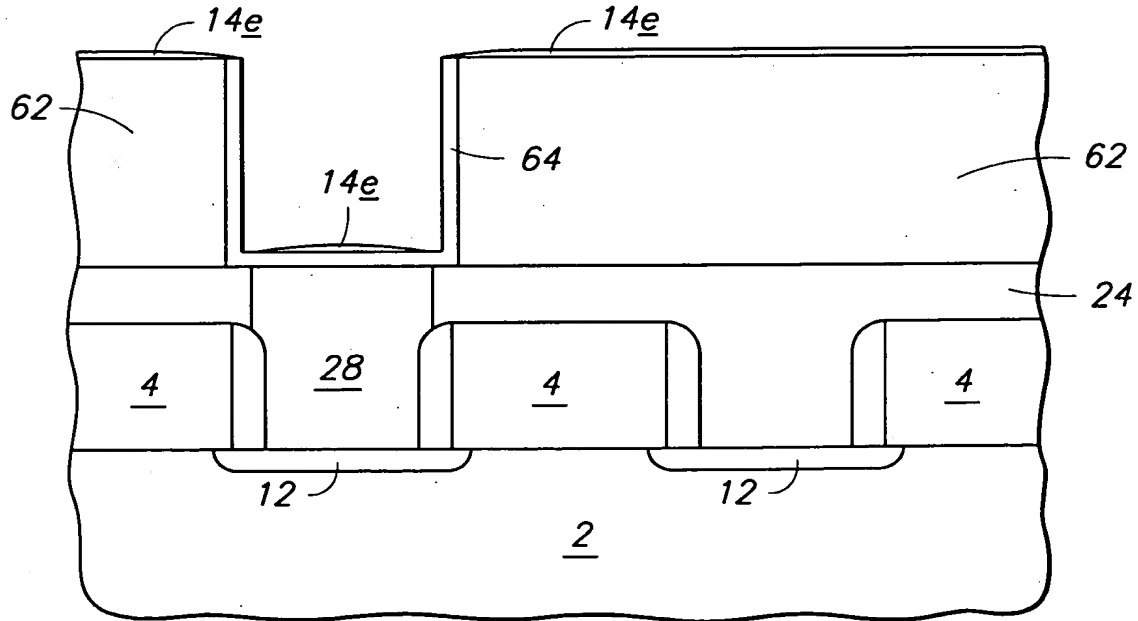


60



II II II II

60



II II II II

2025 RELEASE UNDER E.O. 14176





